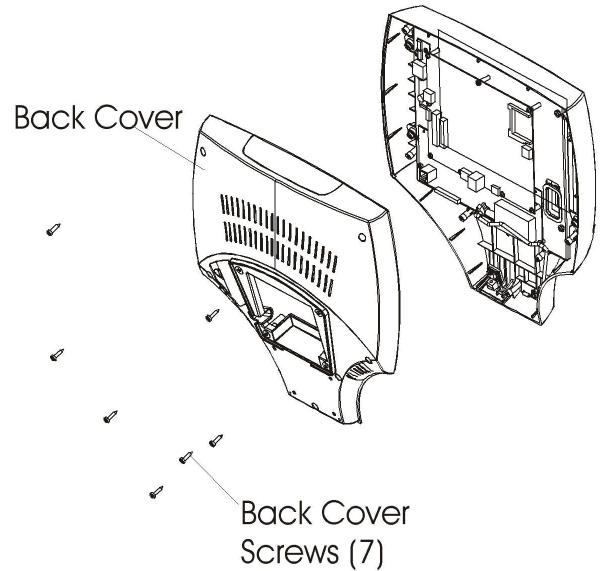


## Life Fitness Cross-Trainers 90X, 93X, 95Xe, and 95Xi How To... Replace the Inverter Board

Special Service Tools Required: NONE

**CAUTION! BEFORE REPLACING CIRCUIT BOARD(S), GROUND YOURSELF TO THE MACHINE USING AN ANTI-STATIC GROUND STRAP.**

1. Remove the console from the unit.
2. Remove seven screws from the Back Cover and lift the Back Cover off the front half of the Console.



3. Disconnect the two Pink/White Power Wire Connectors from the top of the Inverter Board, and the four Yellow Wires Connector, which receives Power from the PC to the Inverter, at the bottom of the Inverter Board.
4. Remove two Phillips screws securing the Inverter Board to the back of the LCD Touch Screen and lift it out.
5. Install new Inverter Board in reverse order.

